

Facial tissues packaged in regular and cube style cartons

Up to 400 cartons per minute for perfect shelf and table appearance



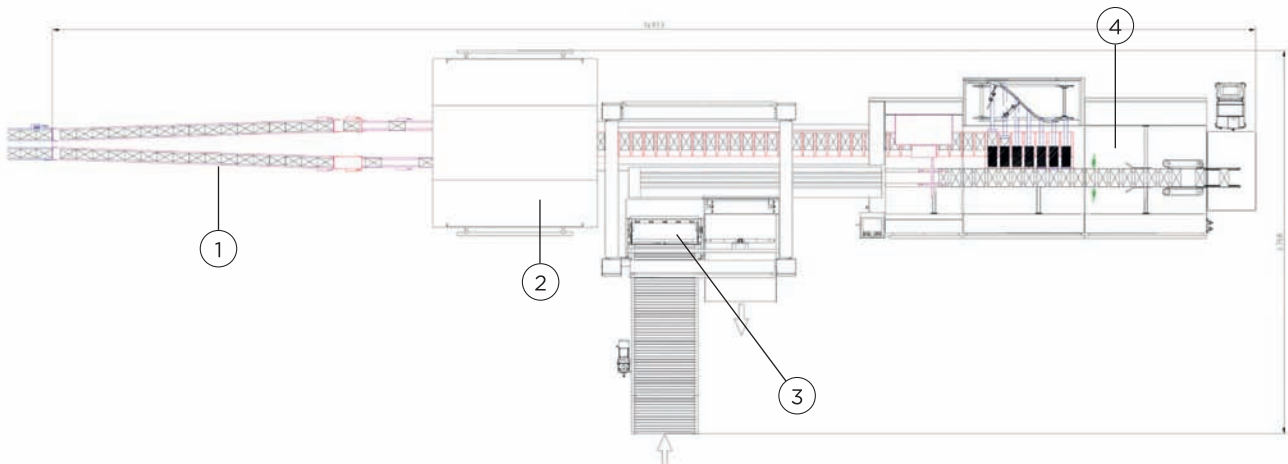
Requirements summarized

- Clips 200 x 105 mm and 105 x 105 mm at various heights
- Up to 400 clips per minute
- Flexibility to change between different packaging
- Reduced

Challenges summarized

- Seamless integration with folding equipment
- Very high speed configuration

MACHINE LAYOUT



Solution highlights

1 Collation, grouping, and infeed system

- Two servo driven infeed system including rotating units, and correction systems
- Flexible system to allow cube style packs
- Automatic Magazine Loading system for 45 minutes without reloading

2 Cartoner

- 5-head rotary feeder with pre break
- Overhead compression unit
- Correct flap closure system with automatic reject
- 15 minutes size change over for optimized efficiency

1. Infeed conveyor clips from folding equipment
2. Synchronisation unit with cartoners
3. AML – Automatic Magazine Loading system
4. Langen Group CHINOOK™

All information given in this document is dependent upon final machine specification, infeed arrangement, product type and carton specification.

AMERICAS

EUROPE, MIDDLE EAST & AFRICA
ASIA & AUSTRALIA

Canada

The Netherlands

Singapore

Thailand

Ph: +1 905 670 7200

Ph: +31 24 648 66 55

Ph: +65 62 89 37 88

Ph: +66 23 02 14 15

sales-americas@langengroup.com

sales-europe@langengroup.com

sales-asia@langengroup.com

sales-asia@langengroup.com

