

MARIN™ with stick infeed: The 1:1 cartoning solution for stick packs



INFEED



CARTONING



CASE PACKING



PALLETIZING

TECHNICAL SPECIFICATIONS

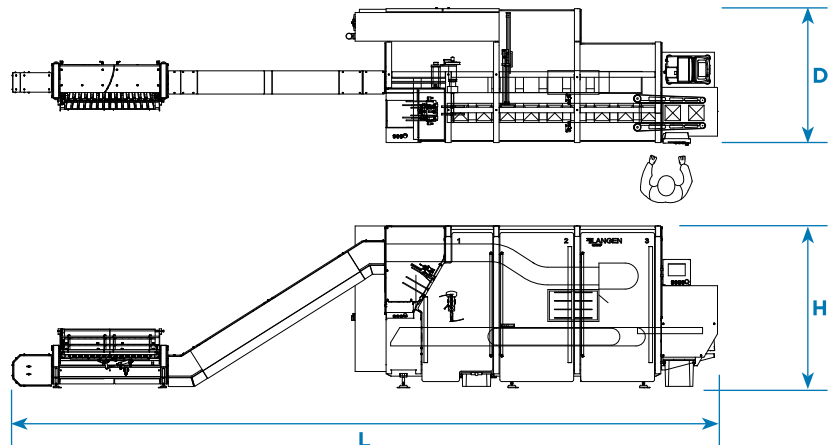
- Motion Intermittent
- Dimensions H = 82.52" / 2096 mm
L = 358.74" / 9112 mm
D = 69.53" / 1766 mm
- Electrical 230V - 575V/3PH, 50/60Hz
- Safety system Category 3 EN-13849-1 PLd (control reliable)

Langen Group's intermittent motion cartoning solution for stick packs. Proven technology providing great flexibility in speed, counts and carton ranges.

OUTPUT

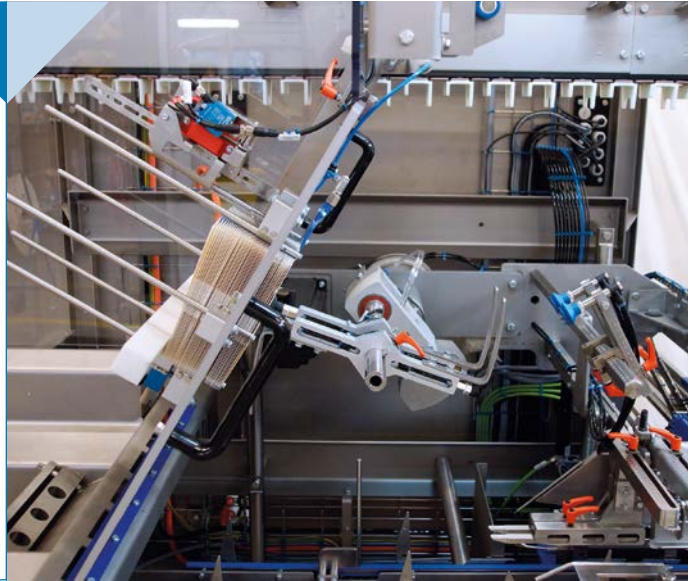


- Speed Max. 630 cartons / minute
- Stick count: 8-50 sticks / carton
- Cartons: Max. 30 cartons / minute
- Dimensions Min H = 0.98" / 25 mm
L = 2.76" / 70 mm
D = 3.54" / 90 mm
- Dimensions Max H = 4.33" / 110 mm
L = 7.87" / 200 mm
D = 7.87" / 200 mm



STANDARD FEATURES

- Stick receiving unit; chute including stoppers and single level drop box.
- 7m of 3" lugged conveyor with guarding and counting feature.
- Flexcount Bomb-bay unit for sticks collation.
- One carton format and stick count fully tested.
- Semi-automatic changeovers.
- Designed to meet hygienic standards.
- Allen-Bradley® controls.



OPTIONAL FEATURES

- Speed packages to increase output of cartons to max. 60 cartons / minute.
- Extension of lugged conveyor available to suit layout requirements.
- Equalizing technology for product conditioning. Improves reliability and performance of the packaging line.
- Additional carton formats and stick counts.
- UL/CSA ready versions, using UL/CSA certified components, and UL approved control panels.
- Integration of printer.



All information given in this document is dependent upon final machine specification, infeed arrangement, product type and carton specification.

AMERICAS
EUROPE, MIDDLE EAST, AFRICA
ASIA & AUSTRALIA

Canada
 The Netherlands
 Singapore
 Thailand

Ph: +1 905 670 7200
 Ph: +31 24 648 66 55
 Ph: +65 62 89 37 88
 Ph: +66 23 02 14 15

sales-americas@langengroup.com
 sales-europe@langengroup.com
 sales-asia@langengroup.com
 sales-asia@langengroup.com

WWW.LANGENGROUP.COM

